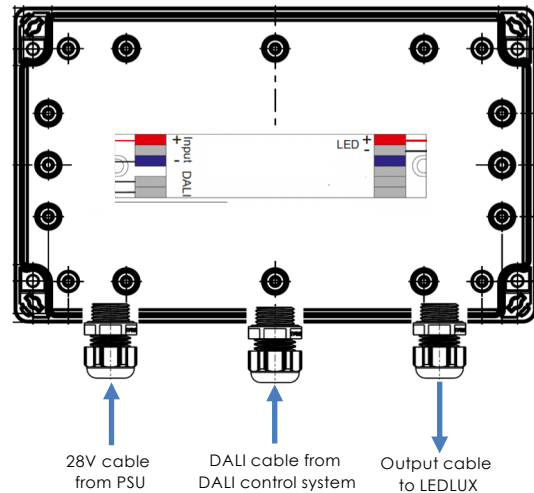


Exterior IP66 DALI interface

Art. No. External DALI interface IP66



Product features

IP66



- Exterior rated DALI interface for dimming CV LED products
- IP 68 Cable Glands provide strain relief
- Quick release lid system for fast installation

Technical Data

Input voltage	220 / 240V
Rated voltage	15-50V
Input current	0-5mA
Current	833 mA
Frequency	50/60Hz
operating temperature	minus 20°C - 45°C
Protection class	II, IP66
Housing type	plastic

DALI Input	Yes
1 -10V Input	Yes
1 - 10V switch off	<0.7V
Dim level	10-100%
Cable size	0,5...1,5mm ²
Cable glands	M16 x 1.5mm
Sealing range	4-10mm
Dimensions	122 x 202 x 75 mm